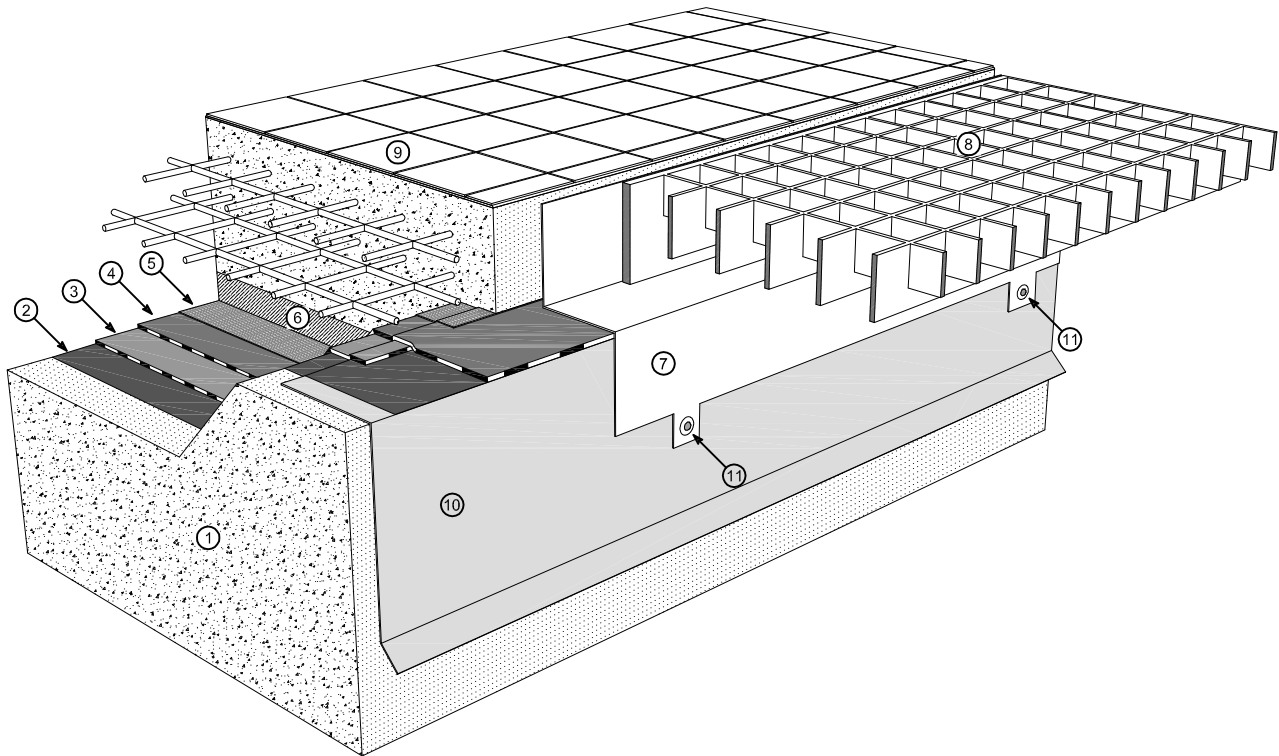


Drawing B-1023

Grating



- | | |
|--|--|
| ① Structure | ⑦ Flashing |
| ② Bituminous primer POLYPRIMER HP 45 PRO | ⑧ Walkable or carriageable metal grid *1 |
| ③ Bituminous membrane (1st layer) | ⑨ Concrete screed and tile floor |
| ④ Bituminous membrane (2nd layer) | ⑩ Metal profile |
| ⑤ Double separation layer | ⑪ Mechanical fixing |
| ⑥ Concrete gradient screed | |

*1 The designer must calculate the correct dimension of the metal grid in function of the design load

14.03.2012

reproduction prohibited
without cite the source