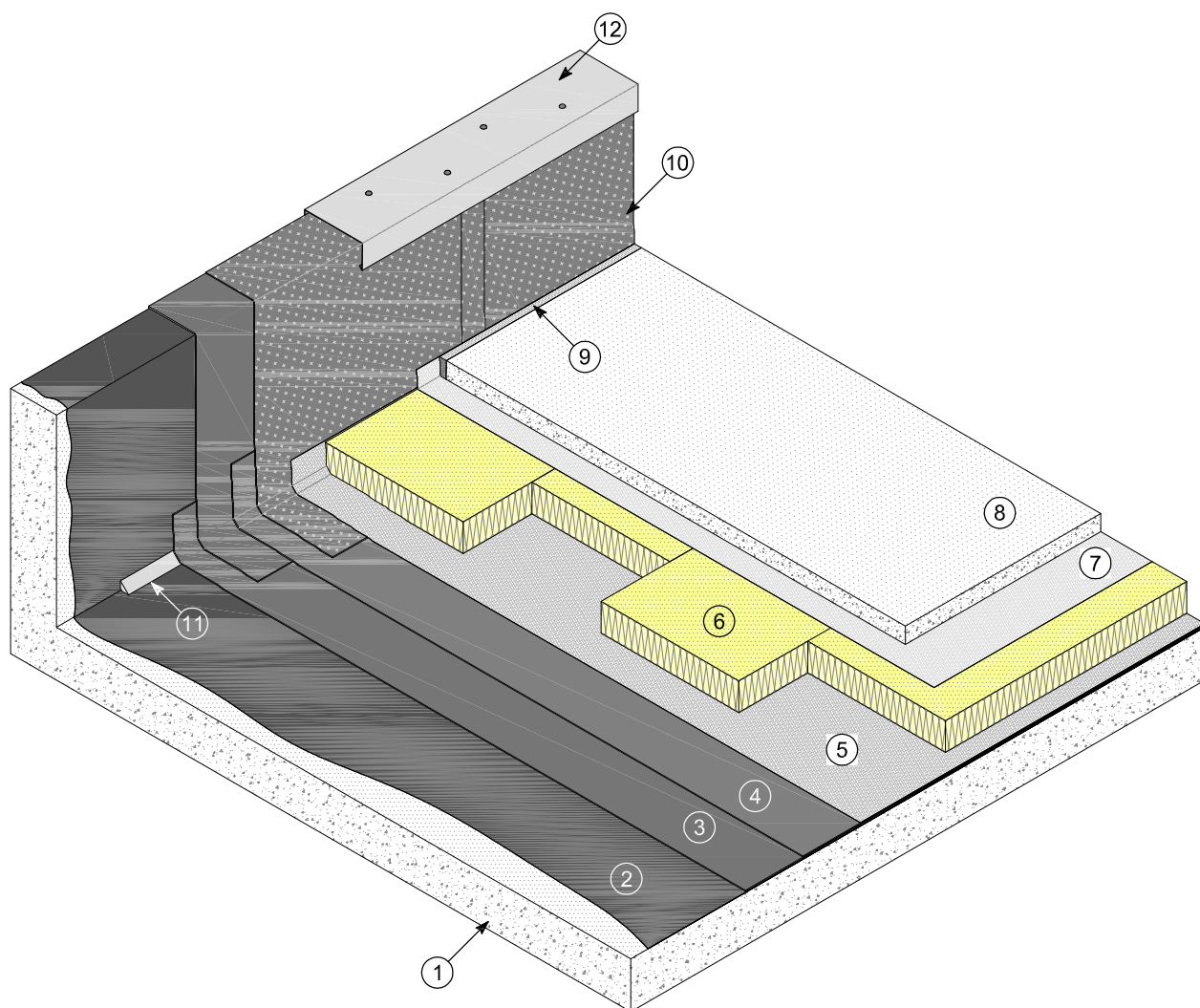


Drawing B-0703

Laying system

Inverted roof system



- | | |
|---|---|
| ① Structure | ⑦ Separation layer MAPEPLAN PE micro-perforated |
| ② Bituminous primer POLYPRIMER HP 45 PRO | ⑧ Reinforced concrete slab *1 |
| ③ Bituminous membrane (1st layer) | ⑨ Shock absorber |
| ④ Bituminous membrane (2nd layer) | ⑩ Vertical turn-up with mineral bituminous membrane |
| ⑤ Separation layer MAPEPLAN PE micro-perforated | ⑪ Trapezoidal profile BORDANGOLO |
| ⑥ XPS insulation panel | ⑫ Perimeter metal profile |

*1 The designer must calculate the correct size of the concrete slab, and he must consider the force caused by the stormwater flow under the insulation layer, because this force can bring to floating the insulation and the concrete slab if it isn't sized correctly

14.03.2012

reproduction prohibited
without cite the source