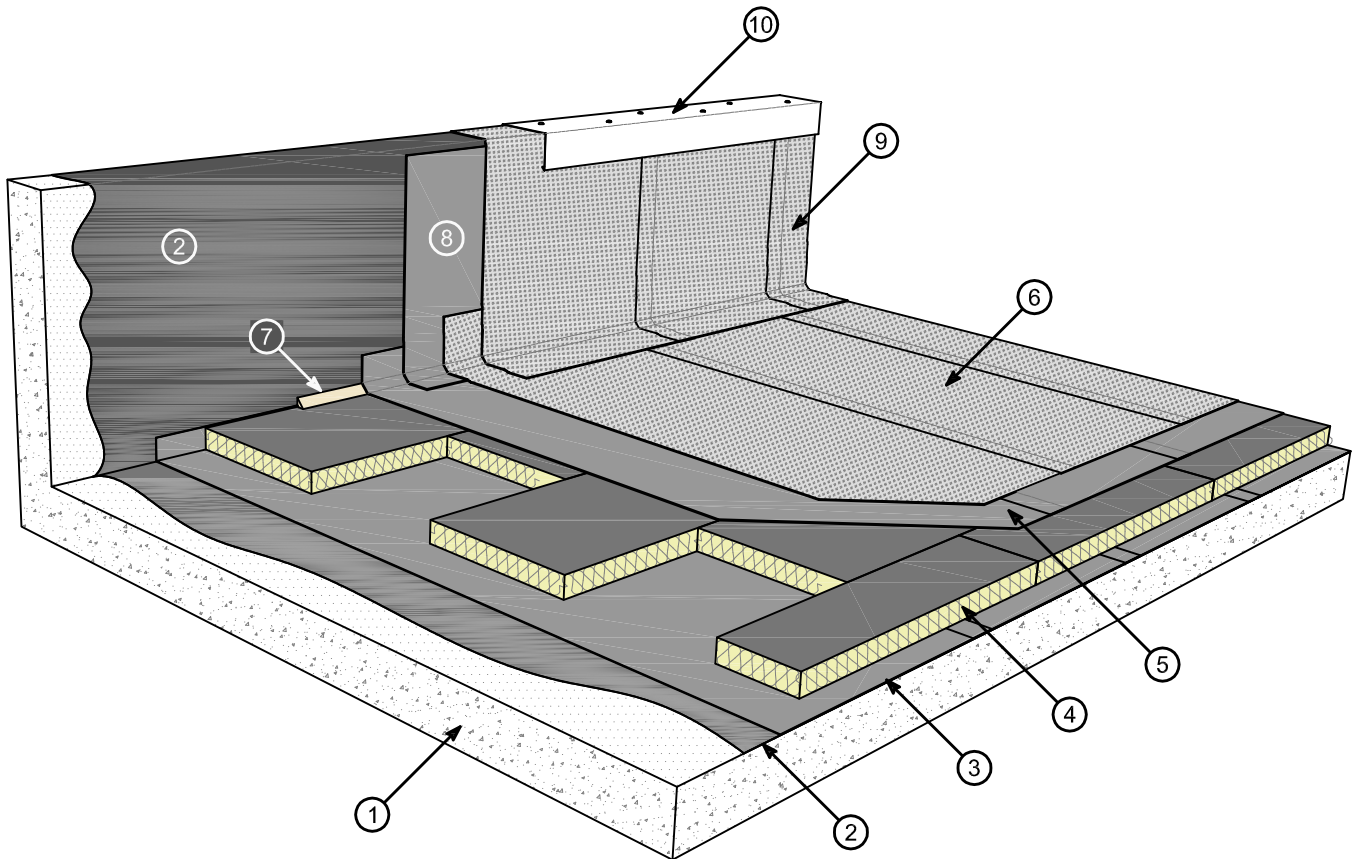


Drawing B-0700

Laying system

Waterproofing and insulation system



- | | |
|--|---|
| ① Structure | ⑥ Bituminous membrane (2nd layer)* ¹ |
| ② Bituminous primer POLYPRIMER HP 45 PRO | ⑦ Trapezoidal profile BORDANGOLO |
| ③ Vapour barrier | ⑧ Vertical turn-up with bituminous membrane (1st layer) |
| ④ Insulation panel | ⑨ Vertical turn-up with bituminous membrane (2st layer)* ¹ |
| ⑤ Bituminous membrane (1st layer) | ⑩ Perimeter metal profile |

*¹ The exposed bituminous membrane must be covered by slate, or covered by a protective reflective paint, type: POLYVER ACRIL, POLYVER S or POLYVER ALU (see the Special Products catalogue)

14.03.2012

reproduction prohibited
without cite the source

POLYGLASS SpA - MAPEI GROUP - Registered Office: Viale E. Jenner, 4 20159 Milano
Head Office: via Dell'Artigianato, 34 31047 Ponte di Piave (TV)
tel. +39 04227547 - fax +39 0422854118 - www.polyglass.com e-mail: info@polyglass.it